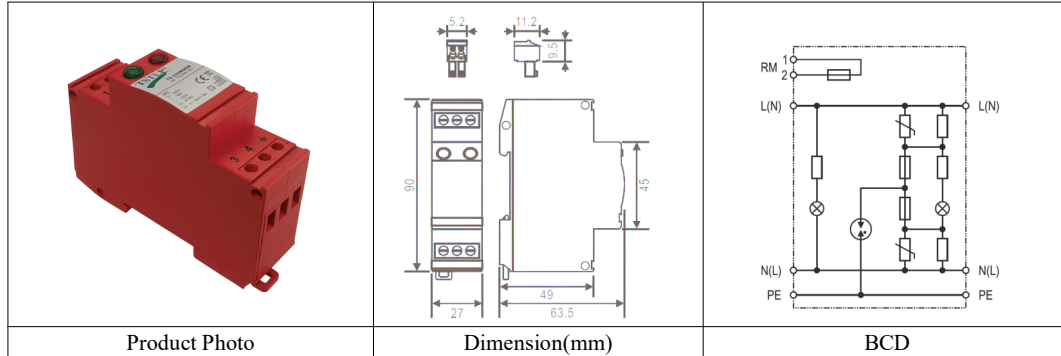




■ TSTLP® 24~230V Type 3 Power Surge Arrester

- ❖ **INTRODUCTION:** TSTLP® Type 3 Surge Protective devices are designed as fine protection for electronic devices. For installation at LPZ 1-2 or higher, applied in SPD Class III (Class D/Type III) for power supply system(provide fine protection for single-phase power of low power supply system;e.g. icebox, air conditioner, photocopy, communication equipment, network equipment and so on.). Designed according to IEC 61643-11; GB 18802.1;YD/T 1235.1



TECHNICAL DATA

Model Number		TS-230M5RM	TS-120M5RM	TS-60M5RM	TS-48M2RM	TS-24M2RM
Normal a.c. Voltage	Un	230V	120V	60V	48V	24V
Rated voltage (max.a.c. continuous voltage)	Uc	320V	150V	75V	60V	30V
Rated voltage (max.d.c. continuous voltage)	Uc	320V	150V	75V	60V	30V
Normal Current	IL	16A	16A	16A	16A	16A
Nominal discharge current (8/20, L-N)	In	3 kA	2.5 kA	2.5 kA	1 kA	1 kA
Nominal discharge current (8/20, L+N-PE)	In	5 kA	5 kA	5 kA	2 kA	2 kA
Combination wave (L-N)	Uoc	6 kV	6 kV	6 kV	2 kV	2 kV
Combination wave (L+N-PE)	Uoc	10 kV	10 kV	10 kV	4 kV	4 kV
Voltage protection level(L-N)	Up	≤1.15 kV	≤0.7 kV	≤0.5 kV	≤0.35 kV	≤0.2 kV
Voltage protection level(L+N-PE)	Up	≤1.5 kV	≤1.1 kV	≤0.85 kV	≤0.85 kV	≤0.85 kV
Response time	tA	≤25ns (L-N); ≤100ns(L+N-PE)				
Max. back up fuse		16A gL/gG				
Operating temperature range	Tu	-40°C...+80°C				
Short-circuit withstand capability at max.backup fuse		6kArms				
Relative humidity:		≤95% (25°C)				
Cross-sectional area		0.5mm ² ~ 6mm ² solid / 4mm ² flexible				
Mounting on		35mm ² DIN rail				
Enclosure material		Red thermoplastic, UL94-V0				
Standards		IEC 61643-11; GB 18802.1; YD/T 1235.1				
Type of remote signalling contact		Break contact				
Switching capacity	U _N /I _N	AC:250V/0.5A DC:250V/0.1A,125V/0.2A,75V/0.5A				
Cross-sectional area for remote signalling contact		Max. 1.5mm ² solid / flexible				
Compliance		CE (LVD, EMC)				

❖ MAIN CHARACTER

- ✓ Green light indicates normal and red indicates fault
- ✓ Single-phase protection and with disconnecter
- ✓ Remote signalling connector for fault indication

INSTALLATION INSTRUCTION

According to lightning protection zones concept, for installation at LPZ 1-2 or higher. This surge protective device is usually installed in distribution-box, protecting electronic devices.

Fuse must be installed at the upstream of the SPD or the lightning arrester to make sure that the protected system has double protection. The value of the fuse used in a SPD system should be conformed to:

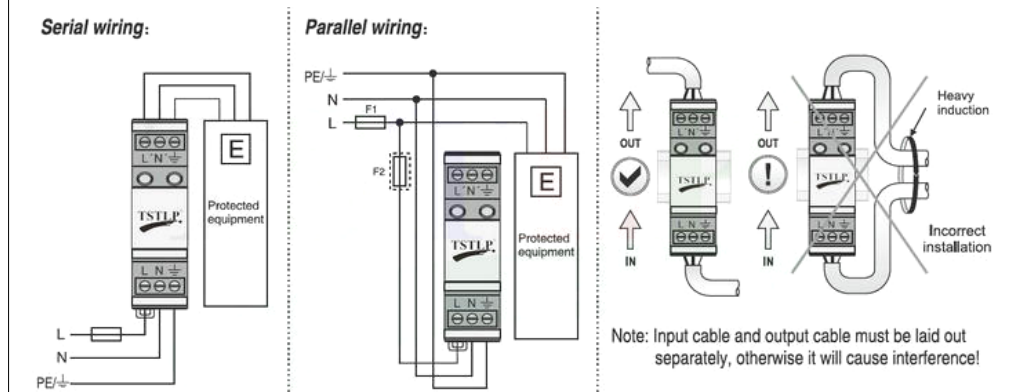
1. The value of FUSE should not be larger than the max. withstand capacity of the SPD's backup fuse value.
2. Under the status of the max. current in the power supply & close loop circuit available current, the fuse should be able to disconnect when overloaded or short-circuited.
3. Take 1 & 2 into consideration, the fuse should be as large as possible to allow the maximum surge discharge of SPD.

INSTALLATION STEPS

1. Mount the SPD on 35 mm DIN rail.
2. Connect conductors, the cross-sectional area of cable must be larger than 4mm². The withstand voltage value of cable is not smaller than AC500V; ensure wiring reliable.
3. If need remote alarm, it should be connected signal lines to remote signal terminal 1 and 2 connected.
4. After above, switch on the power supply and turn on the circuit breaker, if the SPD's indicator light displays green,this indicates the unit is operating normally.

Regularly inspect the operating status, especially after lightning. Once the fuse upstream breaks, or the SPD's indicator light displays red, electrician should check/replace the SPD.

INSTALLATION DIAGRAM FOR REFERENCE



WARNING:

1. The device must be installed by electrically skilled person, conforming to national standards and safety regulations.
2. It is recommended that installation should be done under power off condition.